

Herring Run December 2017 Block of the Month

due at the January 2018 meeting

Bow Tie block - NO SET IN SEAMS

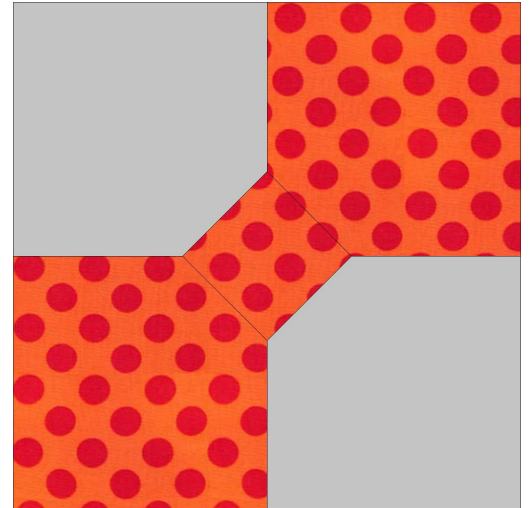
Finished Block Size: 9"

Fabric required: Grey solid or print for background

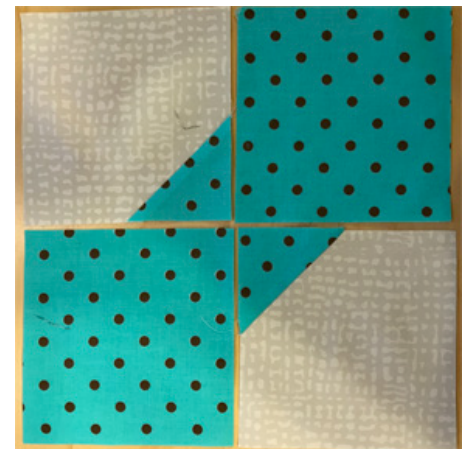
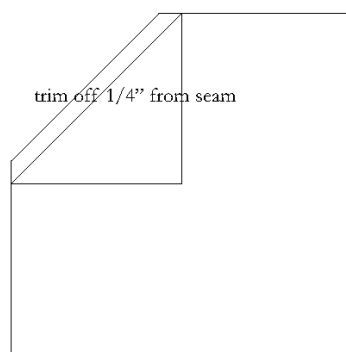
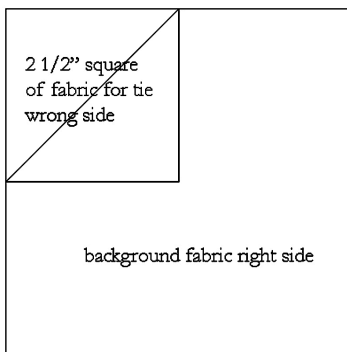
Polka dots - any color for the tie

Cutting Directions

- 2 - 5" squares - background
- 2 - 5" squares polka dot fabric
- 2 - 2 1/2" squares, polka dot fabric



- Draw a diagonal line on the wrong side of both 2 1/2" squares of polka dot fabric
- Layer one of the 2 1/2" squares on the corner of one of the background squares, right sides together, as in diagram.
- Sew on the drawn line.
- Repeat with the other 2 1/2" square and the other background square.
- Trim 1/4" away from stitching line.
- Press seams to the polka dot fabric.
- Follow placement below to sew the block together.
- <https://www.youtube.com/watch?v=DICTysRQ5yE&feature=youtu.be> this is a video showing how to put this block together



Let's see how bright and colorful we can make these bow ties.

Janine Cannizzaro